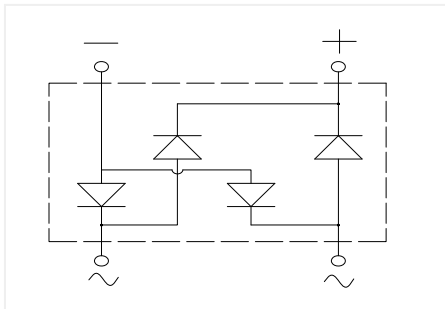




Bridge Rectifiers



Features

- UL recognition, file #E313149
- Glass passivated chip junction
- Ideal for automated placement
- High surge current capability
- Meets MSL level 1, per J-STD-020, LF maximum peak of 260 °C

Typical Applications

General purpose use in AC/DC bridge full wave rectification for SMPS, lighting ballaster, adapter, battery charger, home appliances, office equipment, and telecommunication applications.

Mechanical Data

- Package:** YBS6
- Molding compound meets UL 94 V-0 flammability rating, RoHS-compliant, Halogen-free
- Terminals:** Tin plated leads, solderable per J-STD-002 and JESD22-B102
- Polarity:** As marked on body

Maximum Ratings (Ta=25 Unless otherwise specified)

									YBSN15010A
Maximum Repetitive Peak Reverse Voltage	VRRM	V	50	100	200	400	600	800	1000
Maximum RMS Voltage	VRMS	V	35	+0	140	280	420	560	+00
Maximum DC blocking Voltage	VDC	V	50	100	200	400	600	800	1000
Average rectified output current 4 60Hz sine wave R-load Tc 1 - 5	Io	A				15			



YBSN150005A THRU YBSN15010A

Electrical Characteristics $T_a=25$ Unless otherwise specified

PARAMETER	YMBO	UNIT	TEST	YBSN150005A	YBSN15001A	YBSN15002A	YBSN15004A	YBSN15006A	YBSN15008A	YBSN15010A
Maximum instantaneous forward voltage drop per diode	V _F	V	I _{FM} =7.5A				1.0			
Maximum DC reverse current at rated DC blocking voltage per diode	I _R	μA	T _j =25				5			
			T _j =125				100			
Typical junction capacitance	C _j	pF	Measured at 1MHz and Applied Reverse Voltage of 4.0 V.D.C				110			

Thermal Characteristics $T_a=25$ Unless otherwise specified

PARAMETER	SYMBOL	UNIT	YBSN150005A	YBSN15001A	YBSN15002A	YBSN15004A	YBSN15006A	YBSN15008A	YBSN15010A
Between Junction and Ambient	R _{J-A}								
Typical Thermal Resistance		/W							





Suggested pad layout



Disclaimer

The information presented in this document is for reference only. Yangzhou Yangjie Electronic Technology Co., Ltd. reserves the right to make changes without notice for the specification of the products displayed herein to improve reliability, function or design or otherwise.

The product listed herein is designed to be used with ordinary electronic equipment or devices, and not designed to be used with equipment or devices which require high level of reliability and the malfunction of which would directly endanger human life (such as medical instruments, transportation equipment, aerospace machinery, nuclear-reactor controllers, fuel controllers and other safety devices), Yangjie or anyone on its behalf, assumes no responsibility or liability for any damages resulting from such improper use of sale.

This publication supersedes & replaces all information previously supplied. For additional information, please visit our website [http:// www.21yangjie.com](http://www.21yangjie.com) , or consult your nearest Yangjie's sales office for further assistance.